



- Durable Mechanism
- Fast Passage
- Elegant Design
- Aesthetic Solution
- User-friendly
- Longlived

# T 300 HG 40

## HG GATE

## T 300 HG 40

### HG GATE

T 300 HG 40 provides an aesthetic solution to the access control needs with its economical dimensions and stylish design. Thus, space safety can be complemented by a modern look.

### Application

T 300 HG 40 can be used easily in hotels, universities, business centers, ministries, banks, airports and any similar areas especially in buildings that value interior design.

### Basic Materials

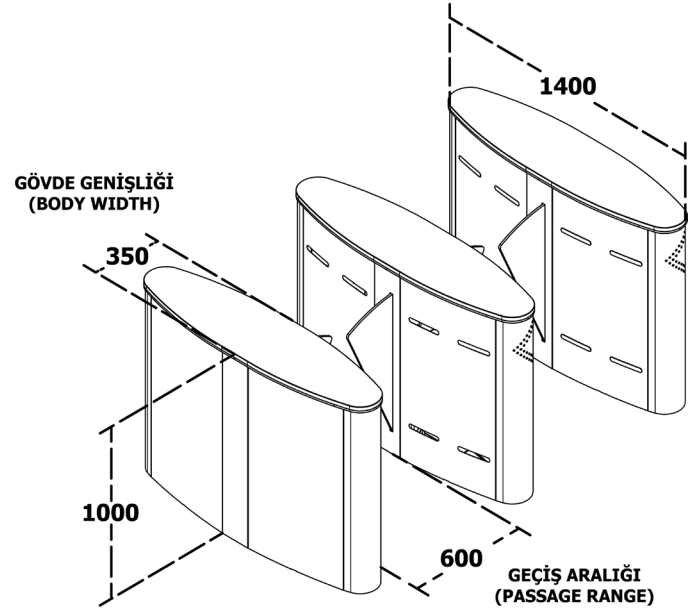
T 300 HG 40 is produced in AISI 304 stainless steel body, with reinforced 10 mm plexyglass wings. Optionally, the top cover can be produced in different patterns, with special 10 mm pvc coated wooden material. Logo can be applied on Plexyglass wings. If desired, 10 mm glass wings can be produced instead of 10 mm plexyglass material. All mechanical parts are specially coated to protect against corrosion. The electronic boards are designed by the qualified engineers of Makim, enabling T 300 HG 40 operate in various modes and entegrations.

### General Use

All kind of access control systems like card reader, biometric reader, remote control unit or push button can be entegrated to T 300 HG 40. For this purpose, optional reader foot can be produced by Makim. Once the access right is granted, the gate will open automatically and once the passage is completed, the gate closes itself. If the user does not use the passage right in 15 seconds, the gate will give buzzer warning and it will be closed again. Unauthorized passages are prevented via 7 pcs of special sensors for each unit. The passage interval is 60 cm. There are LED lights on both sides of the T 300 HG 40 with green and red color indicating the access direction.

### Safety

Optional production can be done to provide manual or automatic opening of the wings in case of power cut. As an alternative, battery can be used, in order to keep T 300 HG 40 working in its standard mode for a certain period while power is gone.



Control /Operation Voltage	100-230 VAC 50/60 Hz
Power Consumption	58 W
Operation Temperature	- 20° C - + 70° C
Passage Speed	20-30 P / Minute
Opening/Closing Period	0,50 - 0,70
Passage Range	Max. 600 mm
Weight	90 Kg
Usage Area	Indoor
Body	304 Grade SS
Top Cover	20 mm Wooden / op. 8mm plexyglass
Wings	10 mm Plexyglass
Optional Accessories	Biometric reader, card reader, button, remote control, counter, automatic opening relay
Protection	IP 42
Security Level	●●●○○

#### FACTORY

Address: Sincan Organize Sanayi Bölgesi,  
Erkunt Cd. No: 20 06930 Sincan / Ankara  
Phone: +90 (312) 267 56 87 Fax: 0 (312) 267 56 99  
satis@makim.com.tr

#### ANKARA SALES OFFICE

Address: Batı Sitesi Mah. Gersan, 2307 Sk/3.Cad.  
No:16 06970 Ergazi / Ankara  
Phone: +90 (312) 257 02 52 Fax: 0 (312) 257 02 55  
pazarlama@makim.com.tr

#### BRANCH

Address: Perpa Ticaret Merkezi, B Blok  
Kat: 7-8 No: 987-989 Şişli İstanbul  
Phone: +90 (212) 210 29 41 Fax 0 (212) 210 68 15  
sube@makim.com.tr

#### WAREHOUSE AND TECHNICAL DELIVERY

Address: Perpa Ticaret Merkezi, B Blok  
Kat: 1-2 No:57 Şişli İstanbul  
Phone: +90 (212) 210 29 41 Fax: 0 (212) 210 68 15  
sube@makim.com.tr